

Requirement analysis : *Library*

Java application example in a distributed environment (RMI)

Joris Schelfaut (DistrICT Education)

June 5, 2014

Contents

1 Domain description	1
1.1 Domain model	1
2 Functional requirements	2
2.1 UC1 : Login	2
2.2 UC2 : Logout	3
2.3 UC3 : Add book	3
2.4 UC4 : Remove book	4
2.5 UC5 : Consult books overview	4
2.6 UC6 : Consult users overview	5

1 Domain description

1.1 Domain model

Figure 1 shows the domain model diagram. Note that we no longer included the *Item* hierarchy, to make the system easier to implement. Instead users and authentication have been added, along with distributed concepts.

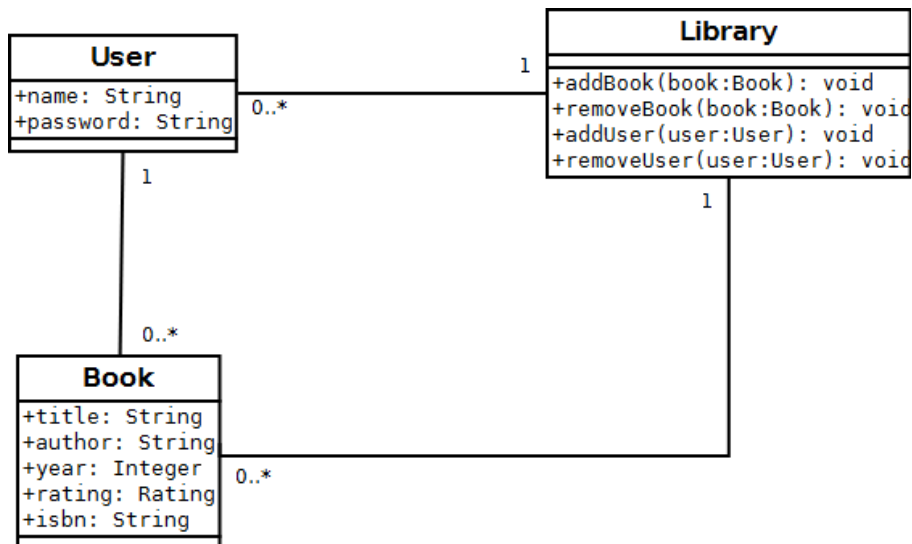


Figure 1: Domain model diagram for the *Library* application.

2 Functional requirements

Figure 2 shows the use case diagrams for the *Library* application. There is only one actor, namely *User*.

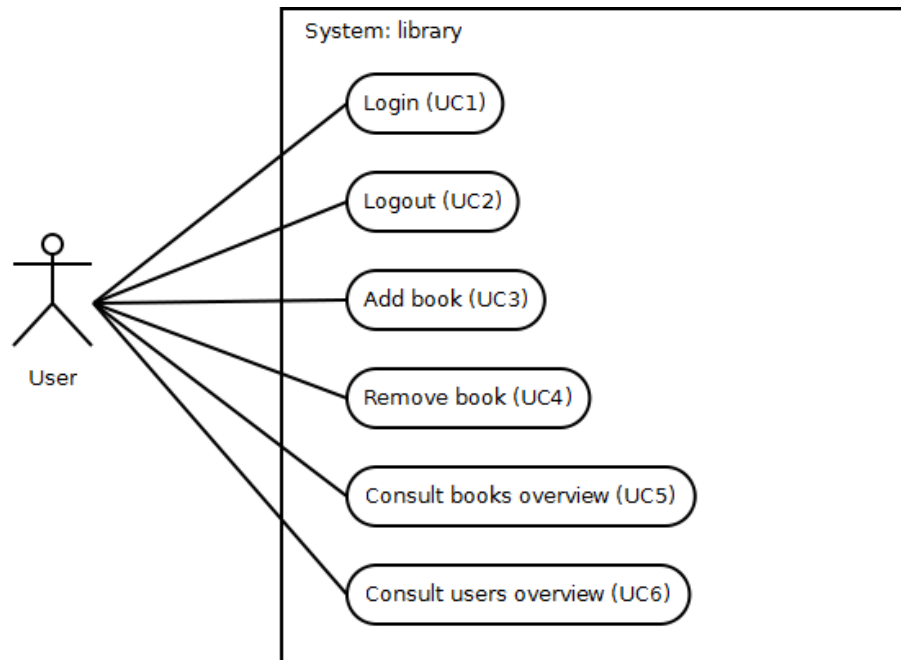


Figure 2: Use case diagram for the (distributed) *Library* application.

The following use case descriptions (UC1-6) give a detailed overview of each operation.

2.1 UC1 : Login

- **Name** : Login
- **Primary actor** : User
- **Preconditions** :
 - The user is not logged in.
- **Post-conditions** :
 - User is logged in.
 - User has a session through which he/she can perform actions that require authentication.
- **Main scenario** :
 1. User selects the option to login into the application.
 2. User enters his/her username and password.
 3. The user is authenticated and arrives at the main screen of the application.
- **Alternate scenarios** :
 1. 3b. The login data were invalid. The user is not logged in and is shown an error message. The use case ends here.

2.2 UC2 : Logout

- **Name** : Logout
- **Primary actor** : User
- **Preconditions** :
 - User is logged in (cf. UC1).
- **Post-conditions** :
 - User is logged out.
 -
 -
- **Main scenario** :
 1. User selects the option to logout.
 2. User is logged out and is redirected to the default screen of the application.
- **Alternate scenarios** :
 1. 2b. An error occurred. User is not logged out. The user is redirected to the main screen and is shown an error message. The use case ends here.

2.3 UC3 : Add book

- **Name** : Add book
- **Primary actor** : User
- **Preconditions** :
 - User is logged in (cf. UC1).
- **Post-conditions** :
 - A new book is added to the library.
 - User is the owner of the book.
- **Main scenario** :
 1. User selects the option to add a new book to the library.
 2. User enters all the required data about the new book.
 3. A new book is created and stored in the library.
- **Alternate scenarios** :
 1. 3b. An error occurred. The user is shown an error message. The book is not added to the library. The use case ends here.

2.4 UC4 : Remove book

- **Name :**
- **Primary actor :** User
- **Preconditions :**
 - User is logged in (cf. UC1).
- **Post-conditions :**
 - The book is no longer in the library.
- **Main scenario :**
 1. User selects the option to remove a book from the library.
 2. User is shown an overview of all his/her books.
 3. User selects a book to remove.
 4. User confirms removal.
 5. The book is removed from the library and his/her collection.
- **Alternate scenarios :**
 1. 5b. An error occurred. The user is shown an error message. The book is not removed from the library. The use case ends here.

2.5 UC5 : Consult books overview

- **Name :** Consult books overview
- **Primary actor :** User
- **Preconditions :**
 - User is logged in (cf. UC1).
- **Post-conditions :**
 - User is shown an overview of all the books in the librray.
- **Main scenario :**
 1. User selects the option to get an overview of all the books in the library.
 2. User is shown the overview of the library books.
- **Alternate scenarios :**
 1. 2b. An error occurred. User is shown an error message. The use case ends here.

2.6 UC6 : Consult users overview

- **Name** : Consult users overview
- **Primary actor** : User
- **Preconditions** :
 - User is logged in (cf. UC1).
- **Post-conditions** :
 - User is shown an overview of all the users in the library.
- **Main scenario** :
 1. User selects the option to get an overview of all the users in the library.
 2. User is shown the overview of the library users.
- **Alternate scenarios** :
 1. 2b. An error occurred. User is shown an error message. The use case ends here.